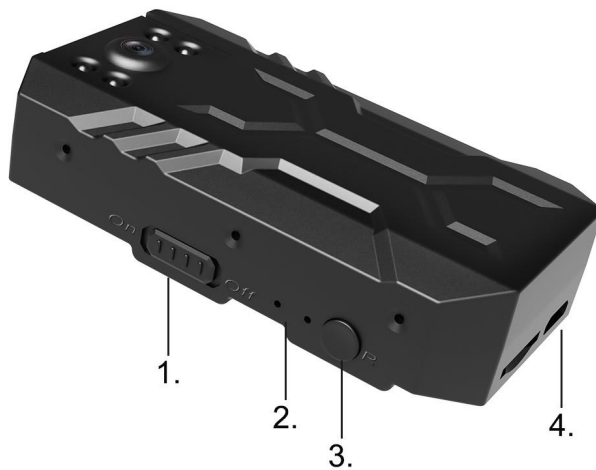




## WiFi Camera Manual v46.0



1. Power button; 2. LED; 3. R button:Reset button; 4.USB

**Note:**

Power button: On-Power on; Off-Power off.

R button: Press R button 5 seconds and release it to restore the factory setting mode.

**LED State:**

Local mode: red light is on, blue light flashes;

Remote mode: red light and blue light are on at the same time without flashing;

Green light: charging indicator light, fully charged, green light off.

**One.APP Download**

You can download the app by scanning the QR code below.

APP Name:HomeEye



Apple system mobile phone can search the App Store to download;

Android phones can be downloaded by searching the App in Google play and other markets.

**Two. Mode introduction:**

The device has two modes, **Local Mode** and **Remote Mode**.

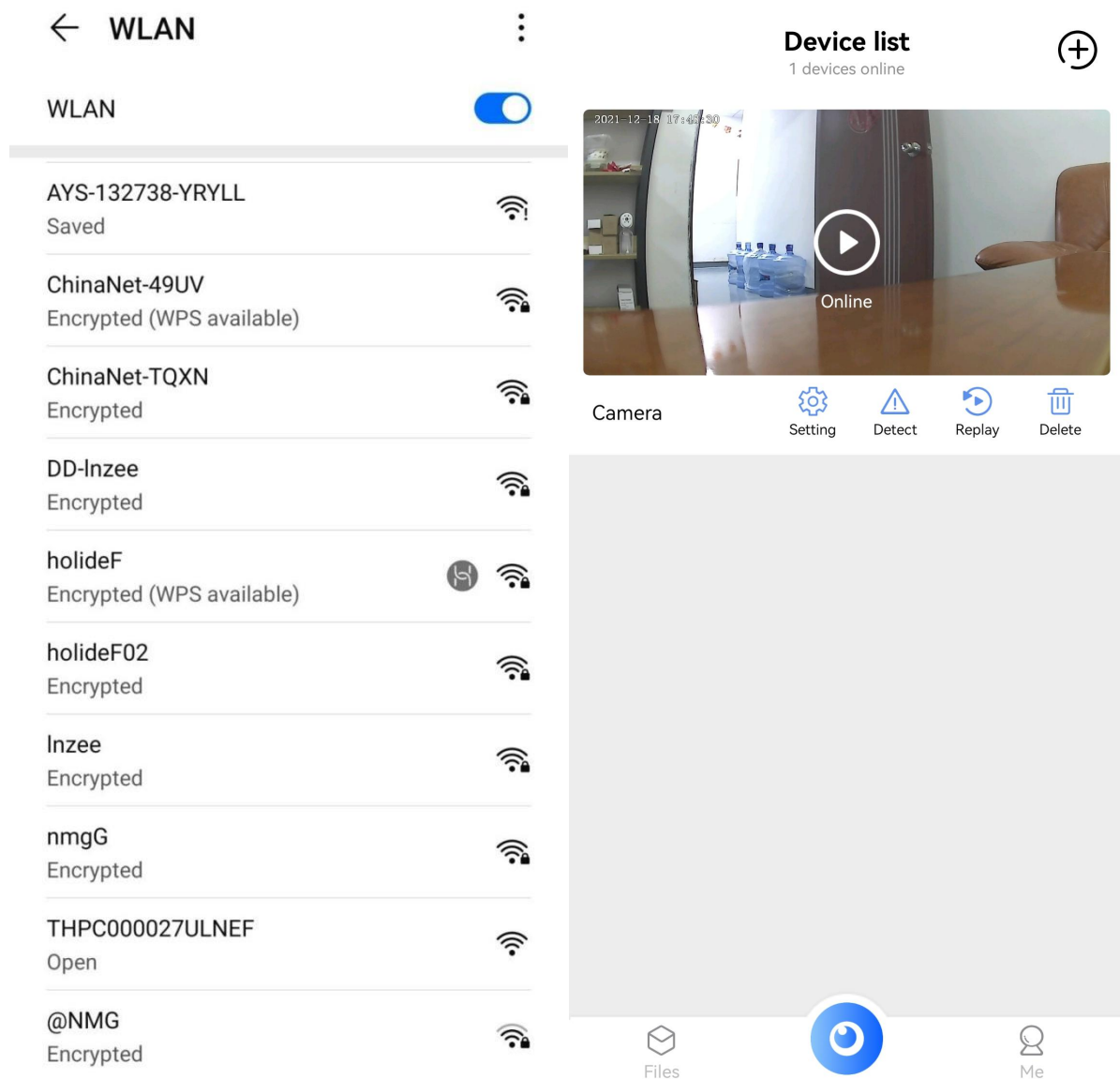
**Local Mode:** in this mode, it doesn't need network. You can directly connect the hotspot released by the device through the mobile phone and view it through the app.

**Remote Mode:** in this mode, a network is required. When the device is connected to the wireless network, it can be viewed remotely and in real time through clients such as mobile phones or tablets.

**Introduce two modes of operation (local mode and remote mode).****Local Mode**

1. Open the "Settings" item of your phone, select "WLAN", find the corresponding ID number of the device (camera hotspot. Beginning at the AYS.), select and connect.

Note: camera hotspot can only be found in local mode. If the hotspot cannot be found, you need restore the device to the factory setting and return to the local mode. After two minutes, you can see the device hotspot in WLAN.



2. **Open the downloaded App.** On the “Devices” page, you can see that the device is connected. Click the device to view it.

At this point, the local mode operation is complete.

### Remote Mode

When the device is in local mode, the remote mode is realized by operating the following steps.

3. Open the app and switch to the "Devices" page. Click “Setting”.

## Device list

1 devices online



Camera



Setting



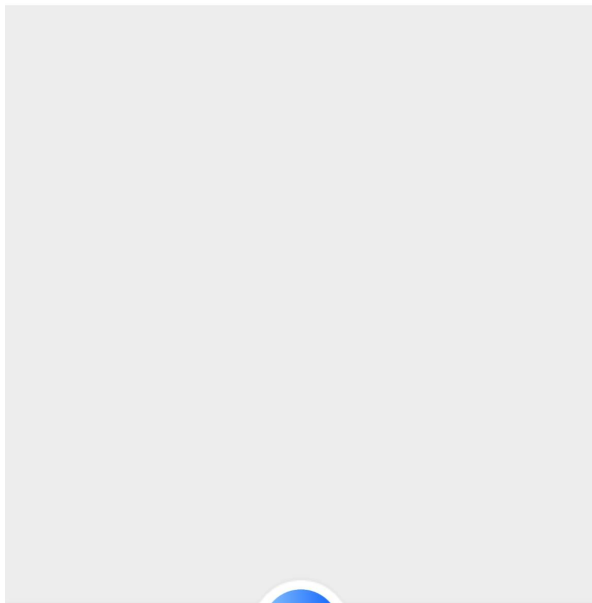
Detect



Replay



Delete

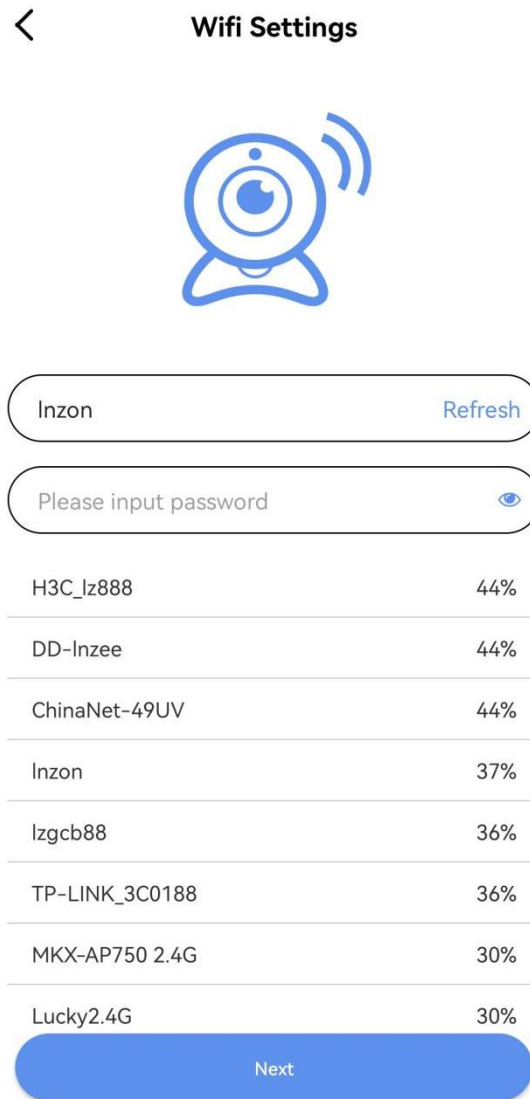
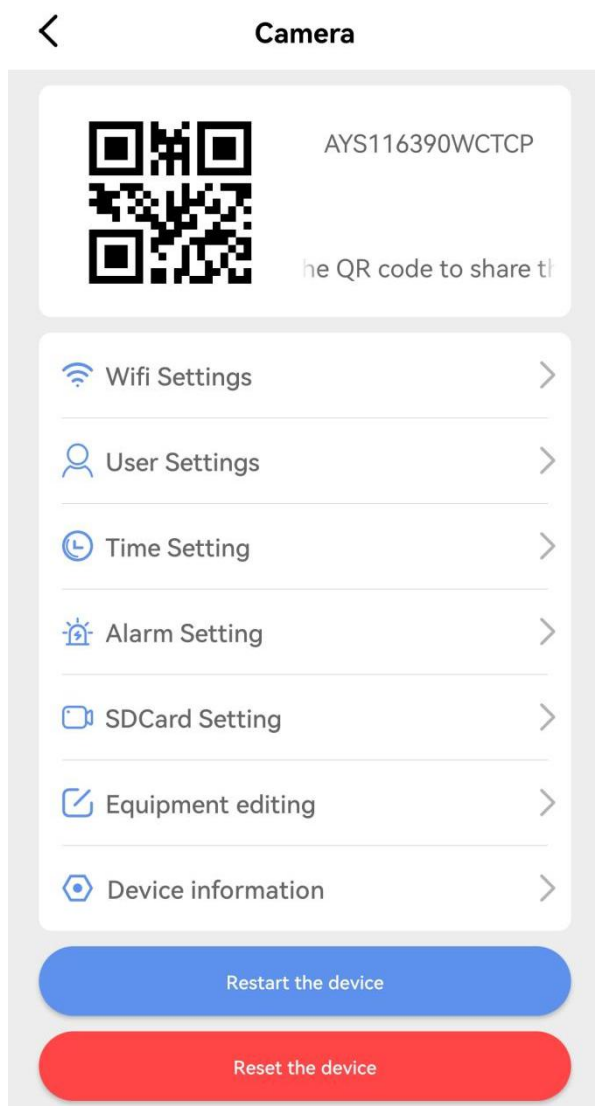


Files



Me

4. Click "Wifi Settings". Select the right WIFI hotspot, and input the right password.



5. Click "Next". The device will restart and automatically connect to the network. Two minutes later, the device will be connected to the network.

Note:

If you enter the wrong password, the device will restart normally but will not connect to the network successfully. You can restore the device to the factory setting. Proceed from step "1" again.

#### Common Problems:

1. For network name (router name), please don't include special characters, such as ". " "- " "/" and so on.

2. The device is offline.

If in local mode, you should not be connected to the device hotspot.

If you are in remote mode, verify the following:

1) Whether the password is entered correctly when connecting to the network.

2) Confirm whether the network name and password have special characters, and the network password should not exceed 11 digits.

3) The device is within 5 meters from the router or network. Within 5 meters, the network connection is better.

3. Video resolution

On the client side, you can choose 4K / 1080 from APP for definition, but on the SD card, the video resolution is 1280 \* 720.

4. Camera always requires user name and password

The default password for the camera is 6666. If you forget your user name or password, you can restore the camera to the factory settings to obtain the default user name and password.

5. Restore camera to factory settings

Please press the R button of the camera to release it for about 5 seconds until the camera is restarted.