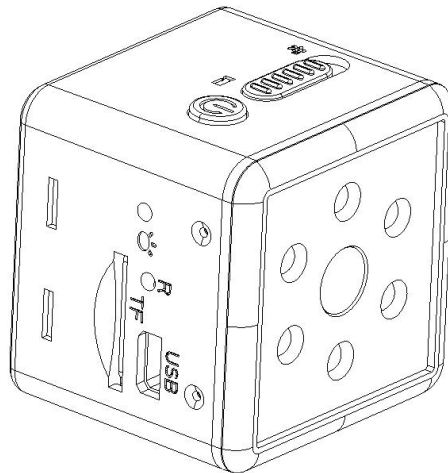


## Camera Manual -v32.0

### Note:

please read the manual carefully before using the product.  
 Insert correct memory card (TF Card) before using the device.  
 Thank you.



### Button introduction:



-Power button



-Motion detection record



-Video



-Indicator light

R-Reset button

### Note:

1) No memory card is inserted, the red light flashes for 10 seconds, and then the

device will shut down automatically.

- 2) The device memory card must be 8GB or above, and the format is FAT32. NTFS cannot be used normally. Data cannot be saved normally in memory less than 8GB.
- 3) If 64GB or 128GB card is used and the card is not in FAT32 format, the device will automatically format the card when power on. Please pay attention to data security. In the process of formatting, the red light is always on and the blue light is flashing.
- 4) After power on, it will automatically enter video mode or motion detection mode.

### **One. Product parameters:**

Video format: AVI  
Video coding: M-JPEG  
Video resolution: 1920\*1080  
Video frame rate: 30fps  
Motion detection record: support  
Battery capacity: about 180mAh  
Record time: about 80 minutes  
Charge voltage: DC-5V 1A  
Storage support: 8GB-128GB  
Transmission speed: USB 2.0  
Interface type: Mini 8PIN USB  
Storage temperature: - 10-40 °C  
Working humidity: 15-85% RH9

### **Two. Product operation:**

The following operation is based on inserting the TF card correctly.

#### **1. Charging:**

This device has built-in rechargeable lithium battery. When the device is short of power, it can be charged in the following ways:

- 1). Connect the 5V-1A charger;
- 2). Connect the mobile power bank (5V-1A);


Note: the red and blue lights flash at the same time when charging. When fully charged, the red and blue lights are on.

#### **2. Power on&Power off**

On: press the power button for 2 seconds.

Off: press the power button for 6 seconds to turn off the device.


#### **3. Video:**

Video: Push the button to  position, and press the power button for 2 seconds. The device is power on, the red and blue light is on, then the blue light is off, and the red light flashes slowly to enter the video recording.

Save: While recording, click the power button once to stop and save the recording, the red light will be on, and the device will return to standby mode.

One paragraph, 10 minutes, support loop recording.

#### **4. Motion Detection Mode:**

When power off, push the button to  position.

After power on, it will automatically enter the motion detection mode.

In this mode, the blue light flashes fast, the device is at the detecting state. Once it detects any moving objects within the range, the blue light flashes slowly and the device enters the video recording. After 2 minutes, the recording will be saved automatically. If there is no moving object, the device will return to the detecting state, the blue light will flash fast.

Exit: Click the power button once to stop and save the video, return to standby mode, the blue light is on.

Note:

Motion detection record, one paragraph, 2 minutes.

Detecting state: blue indicator flashes fast; Recording state: blue indicator flashes slowly.

### **5. Infrared night vision lights switch:**

Turn on: In any mode after power on, press the power button for 3 seconds and release the button, the blue light flashes 2 times, infrared night lights is turned on.

Turn off: In any mode, press the power button for 3 seconds and release, and the blue light will flash 4 times to turn off the infrared night vision.

### **6. Record with charging:**

When the device is power off, connect the device into a power source (the charger or power bank), and the red and blue lights flash at the same time, the device is under the charging state. Then click the power button once, the device will enter to the video mode or motion detection mode. Click the power button again to exit the recording and save it.

If there is no operation within 5 seconds in the standby mode while charging, it will return to the charging state.

Note: The device can't enter the video mode when connecting into the computer.

### **7. Reset:**

In case of system error or malfunctioning, reset the device by inserting a pin to the reset hole.

### **8. Time setting:**

1.) Upon power on, the device will generate a time file named "TIME.TXT" in the system.

2.) TURN OFF the device and connect it to a computer.

3.) Locate the "TIME.TXT" file, set the desired time using format 2019-09-18 23:59:59 Y and save the file.

4.) Disconnect the device from the computer then turn on the device. The time set is then complete.

If you want to cancel the time stamp. Modify "Y" in "TIME.TXT" file to "N" to disable the time display. The reference format is as follows:

1: 2019-09-18 23:59:59 Y (with time watermark display)

2: 2019-09-18 23:59:59 N (no time watermark display)

### Three.Indicator light description

Red light flashes slowly	Recording state
Blue light flashes slowly	Motion detection record state
Red light flashes fast	No TF card detected
Blue light flashes fast	Detecting state under motion detection mode
Red and blue lights flash at the same time	Charging and not fully charged
Red and blue lights are on at the same time	Full charged

### Disclaimer

1. The usage of this device is subject to the relevant national laws and regulations, DO NOT use this product for any illegal activities.
2. DO NOT point the camera lens to the direct sun light or permanent damage may occur.
3. Keep away from fire. Never expose the device to any fire source.
4. DO NOT disassemble and modify. Doing so causes the risk of electric shock, burn injury and other health related hazard.
5. DO NOT let water, liquids, or foreign matter get inside the device. Extra precaution is advised where it is raining, snowing, near the ocean or other form of water. In case any of the symptoms are present, turn off the device immediately and contact us for further support.
6. DO NOT drop the device or permanent damage may occur.